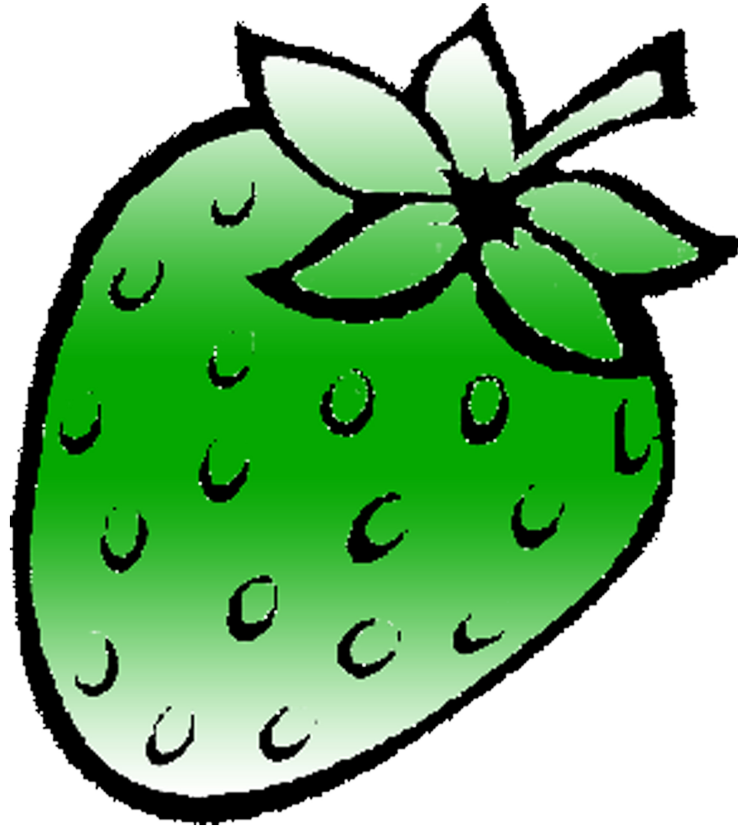


# STRAWBERRY



*/strawberrydevelopers*



*/strawberry\_app*

*For more visit:*

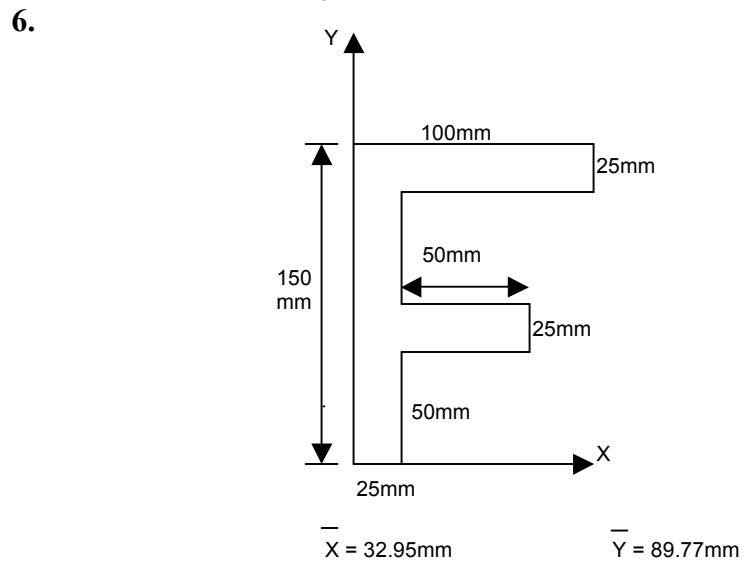
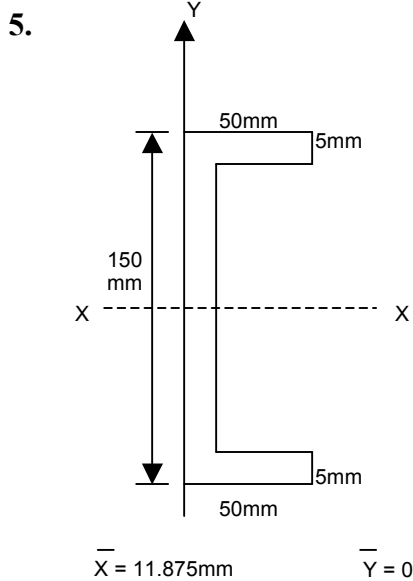
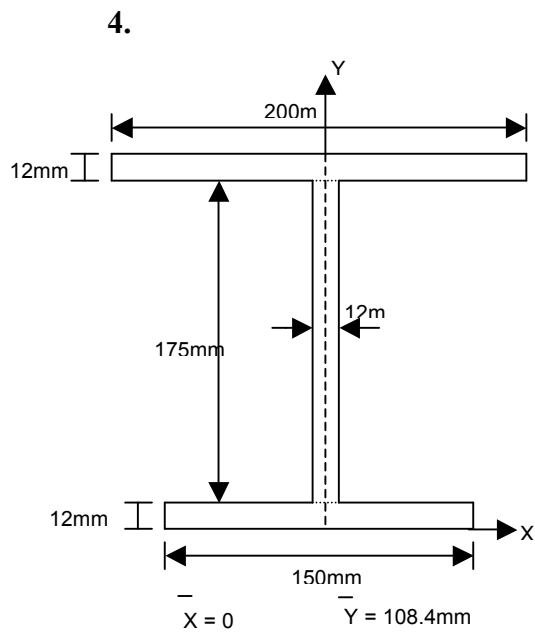
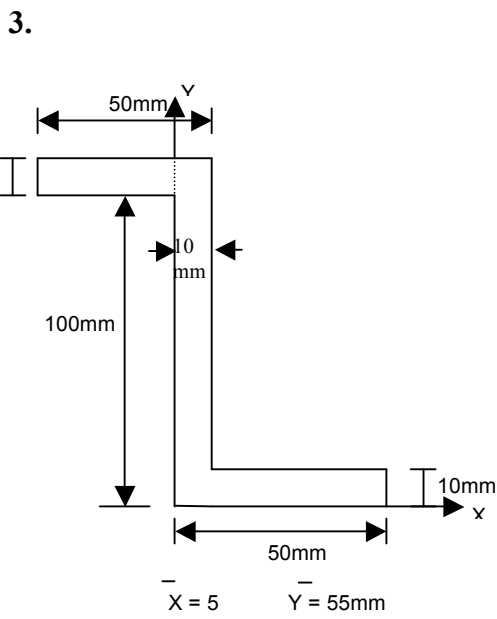
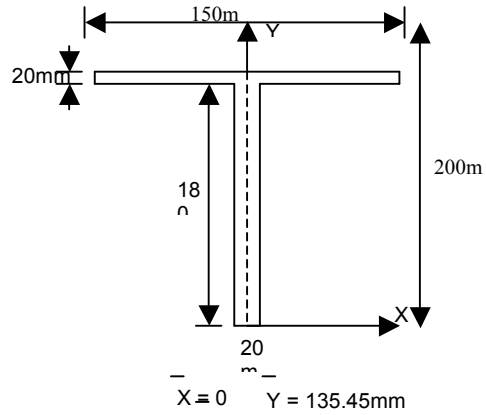
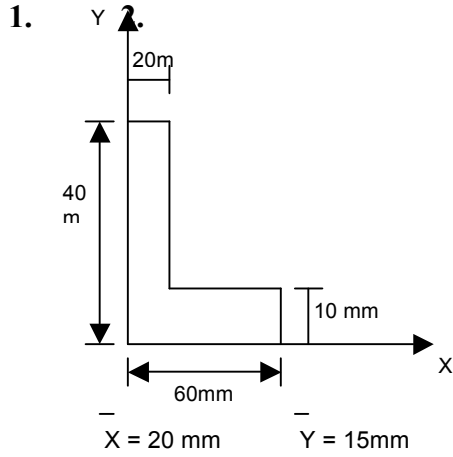
*Strawberrydevelopers.weebly.com*

---

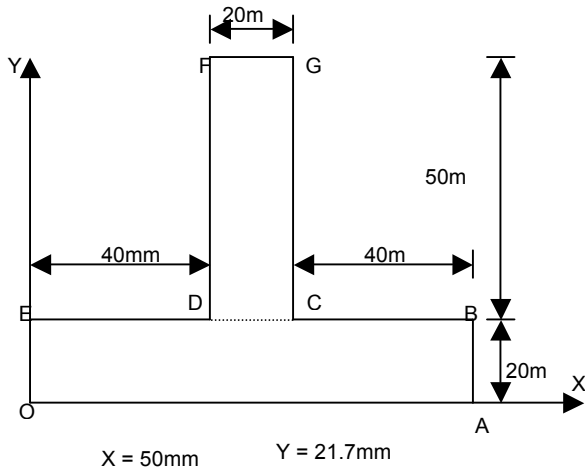
# CENTROID

## (Area)

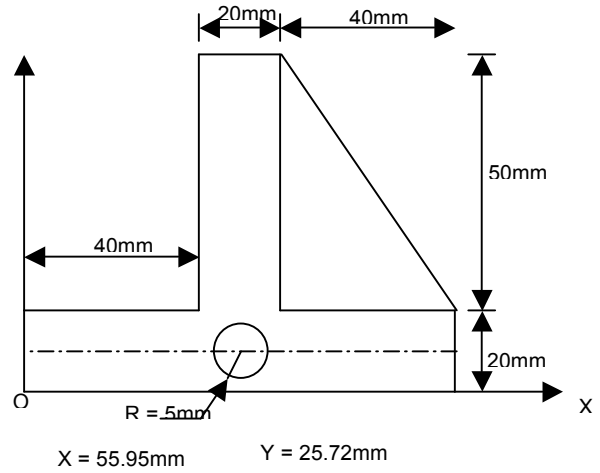
Find the centroid of the following figures with respect to the axes shown.



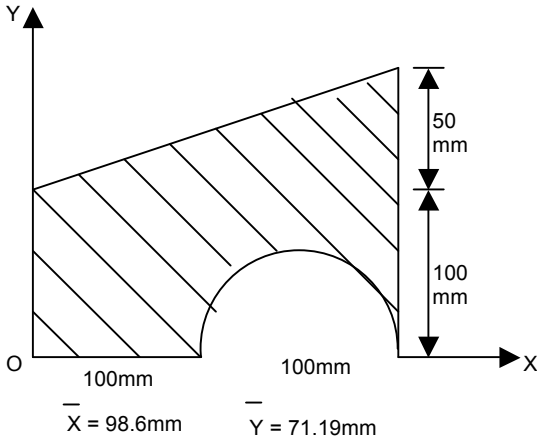
7.



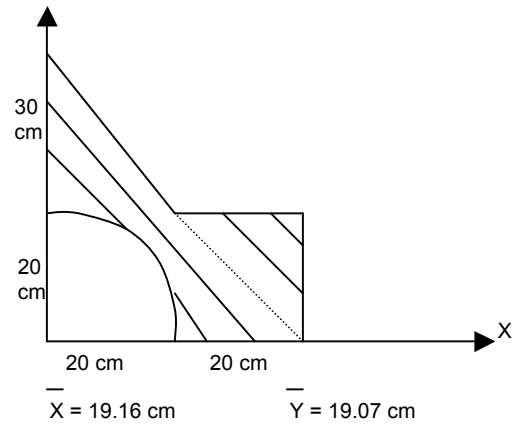
8. Note: center of circle 50mm from Y-axis



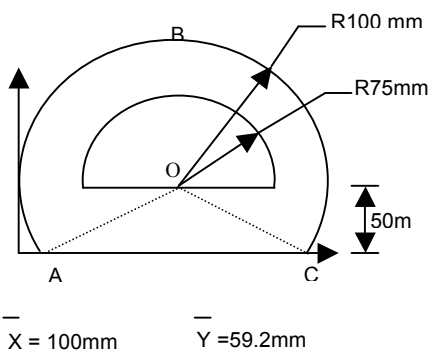
9.



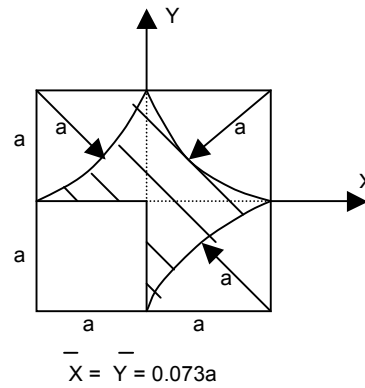
10.



11.



12.



13.

